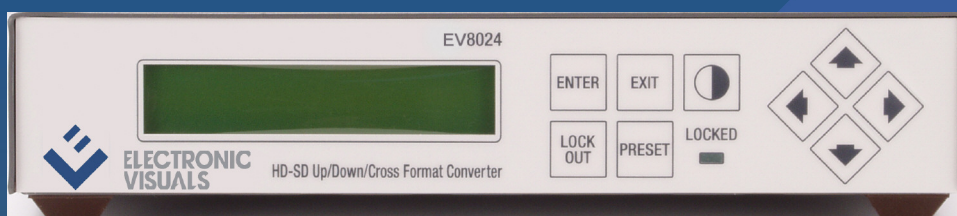


EV8024

HD/SD Up/Down and Cross Converter



High quality up, down and cross conversion

Two digital outputs: HD/SD-SDI

Two analogue outputs:

10-bit video path and 12-bit analogue encoding

Full aspect ratio conversion

Four user programmable graticules

100 user definable pre-sets

Supports sixteen channels of embedded audio in all conversion formats

Automatic audio delay tracking with user offset

PC remote control software provided

Adjustable output gain control

Redundant power option

EV8024 HD/SD Up/Down and Cross Converter

EV8024

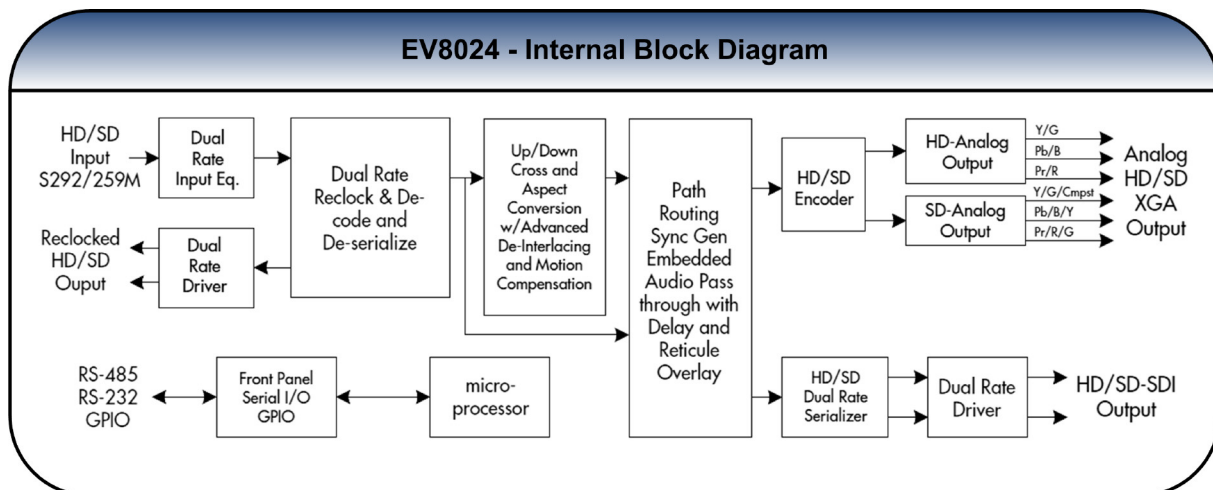
The EV8024 is an extremely versatile HD/SD tool featuring advanced 10-bit format conversion.

The EV8024 accepts dual-rate HD/SD SMPTE-292M and SMPTE-259M SDI inputs and can up or down convert incoming signals and re-aspect to 4 x 3, 16 x 9 or user programmable aspect ratios. In addition, the EV8024 can cross convert HD signals between 1080 and 720. Both digital and analogue HD/SD and XGA outputs are available. The EV8024 can frame rate convert 24 frame video to 60 frames, move interlace to progressive and back. The unit also has extensive user configurable graticules.

The EV8024 has 10-bit video processing, advanced de-interlacing and motion adaptation with 12-bit analogue encoding. The EV8024 includes embedded audio pass through, with delay correction. The unit is controlled by the front Control switches and LCD screen or controlled remotely via a PC interface.

Options:

Redundant power supply, rack mounting and PC remote control.



Specifications:

Input

Dual rate HD-SDI SMPTE-292 and SD-SDI SMPTE-259M

Output

Two reclocked dual rate HD/SD input copies
two up/down/cross converted HD/SD outputs
HD: YPbPr, RGB or XGA w/fri/bi or H&V sync
SD: composite, component and V/C

Frequency Response

HD: Y:28MHz +/- 0.25 dB, Pb/Pr:13MHz +/- 0.25 dB
SD: 0-5.25 MHz +/- 0.25dB

Proc. Control

Digital control of gain, DC, saturation
& hue with user values saved and factory presets

Graticules

Four presets types: centre cross, 4x3 safe area, 4x3 full aperture, and 1 6x9 safe area with user programmable size and thickness.
Colours: black, white, red, blue or user defined colour

Sync Output

Bi or tri-level and XGA H

Power

7-18VDC@ 15watts

Size

353 x 221 x 43mm

Electronic Visuals Limited
20 Ferry Lane
Wraysbury
Staines
Middlesex
TW19 6HG
United Kingdom

Tel: +44 (0) 1784 483311
Fax: +44(0) 1784 483918
Email: info@electronic-visuals.com
Web: www.electronic-visuals.com

 **ELECTRONIC VISUALS**



In line with its policy of continuous product development, Electronic Visuals reserve the right to modify specifications without notice. E&OE